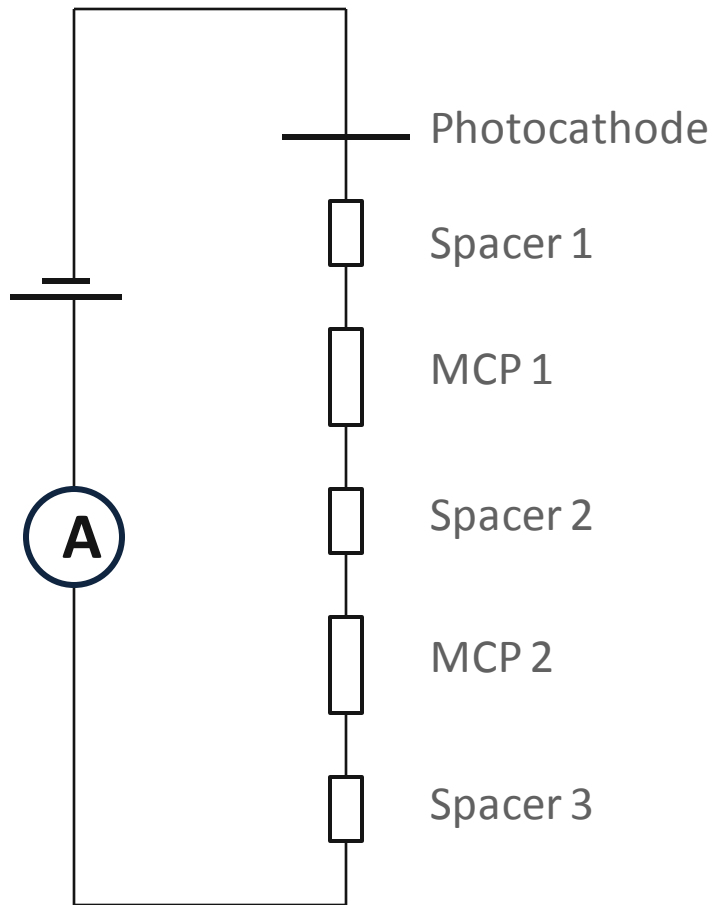
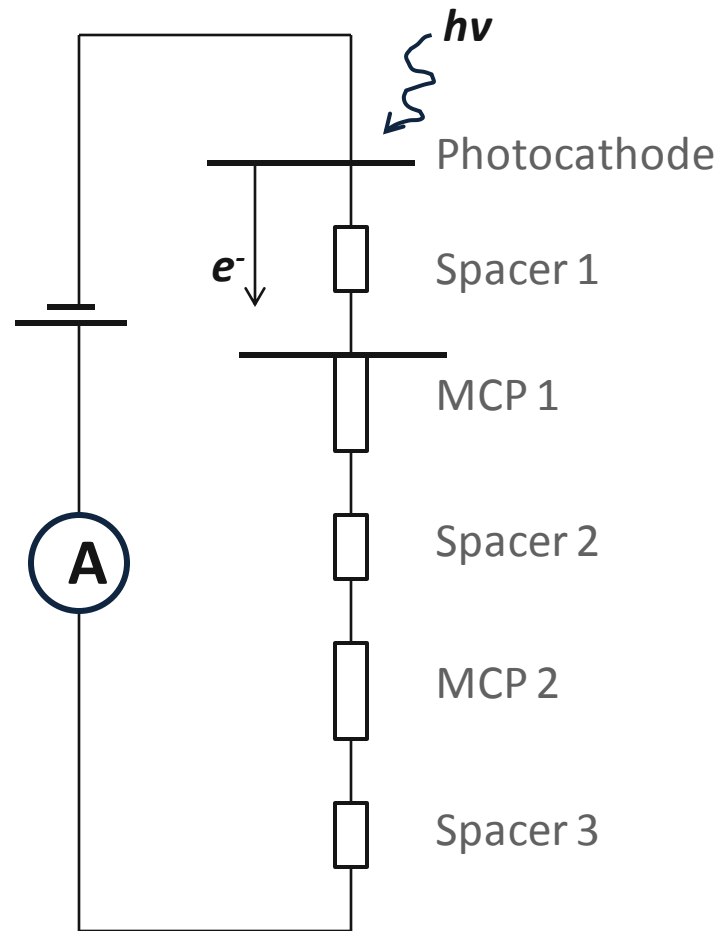


6cm x 6cm photodetector QE Measurement

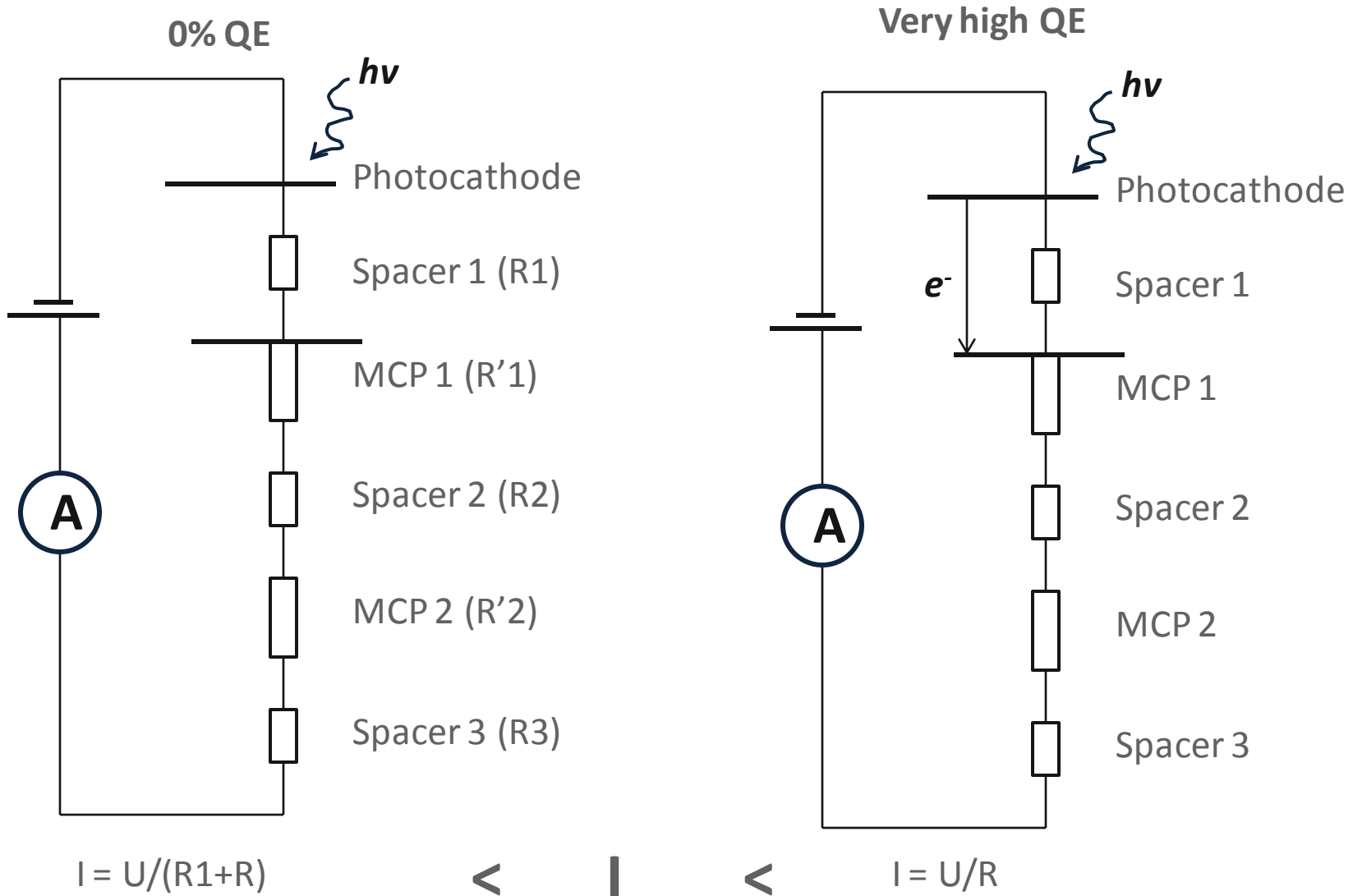
Without Light Source



With Light Source



6cm x 6cm photodetector QE Measurement



$$I = U / (R1 + R)$$

< | <

$$I = U / R$$

$$R = R'1 + R2 + R'2 + R3$$

